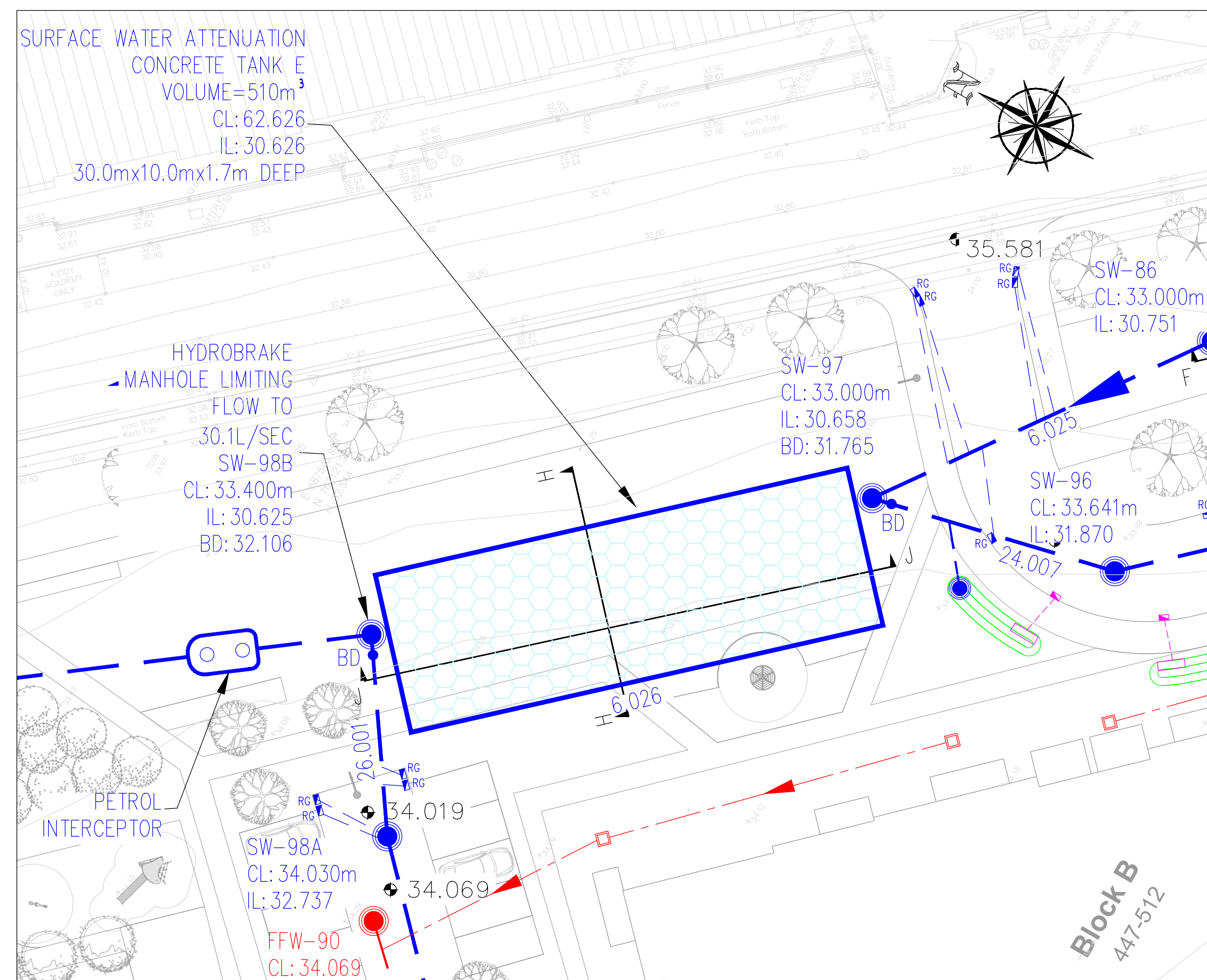
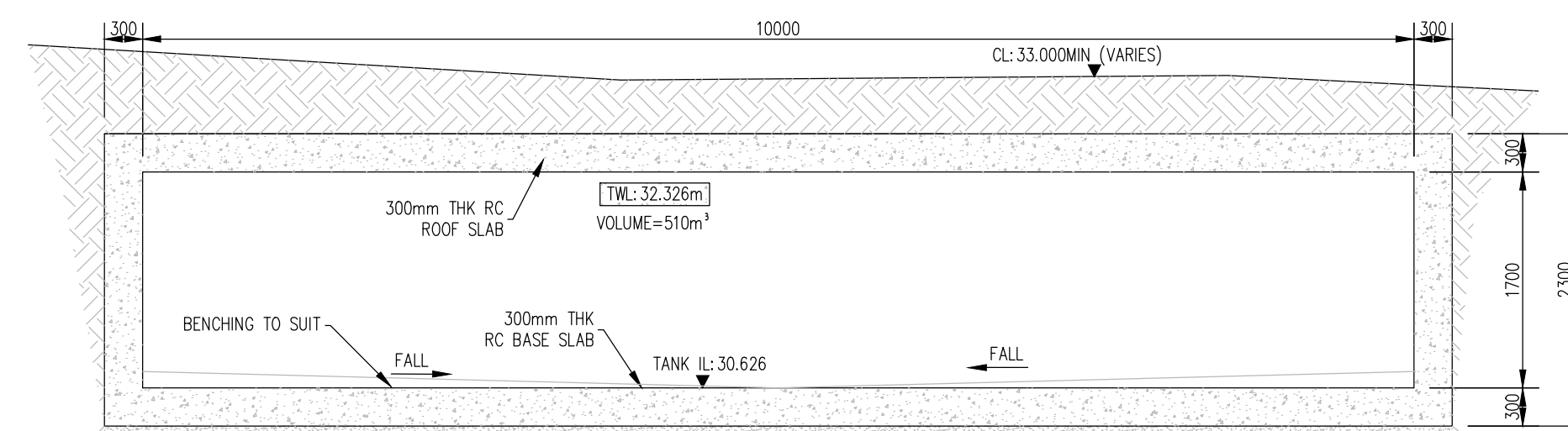
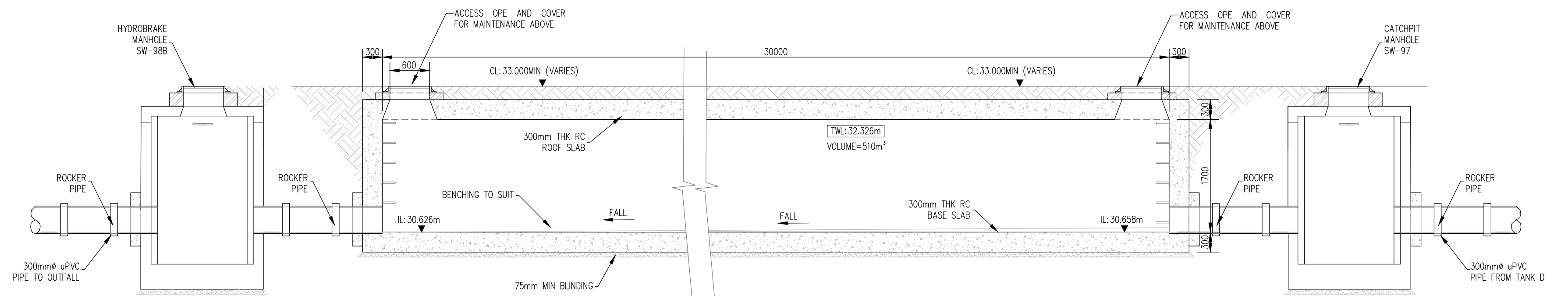
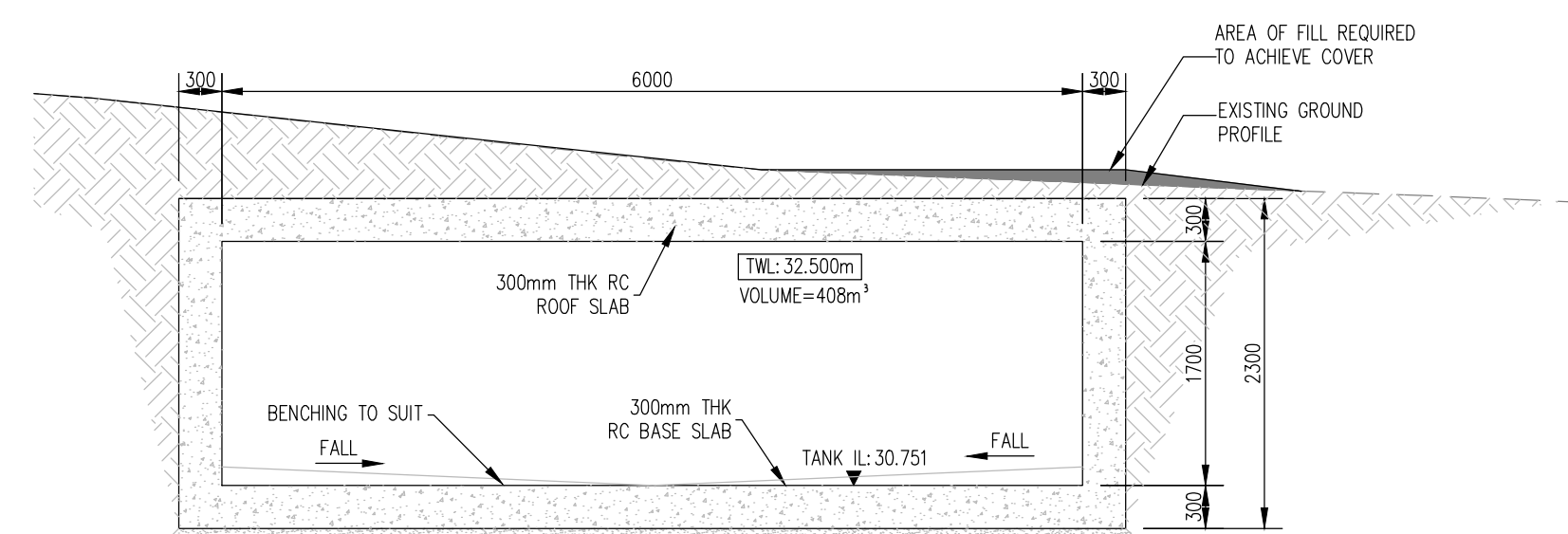
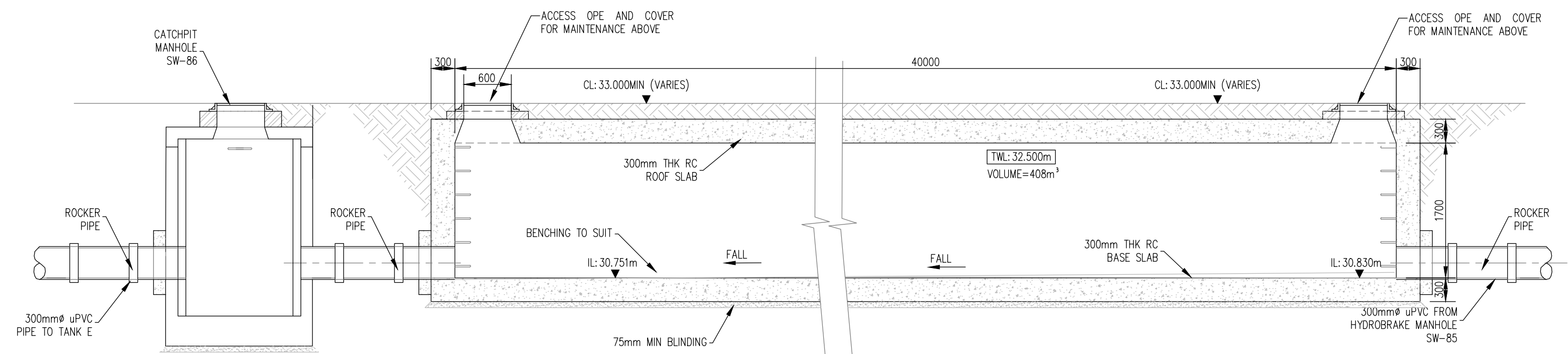


ATTENUATION TANK D
 SCALE 1:250



ATTENUATION TANK E
 SCALE 1:250



PLANNING DRAWING

NOT FOR CONSTRUCTION
 THIS DRAWING HAS BEEN ISSUED
 FOR INFORMATION PURPOSES ONLY
 AND MUST NOT BE USED
 FOR CONSTRUCTION UNDER ANY
 CIRCUMSTANCES

NOTES

- For setting out refer to Architect's drawings.
- This drawing to be read in conjunction with all other Architectural and Engineering drawings and all other relevant drawings and Specifications.
- DO NOT SCALE THIS DRAWING. Use figured dimensions only.
- No part of this document may be reproduced or transmitted in any form or stored in any retrieval system of any nature without the written permission as copyright holder except as agreed for use on the project for which the document was originally issued.
- Ordnance Survey Ireland Licence Number EN 0074019

Rev. No.	Date	REVISION NOTE	Drn. By	Chkd. By
A	01.10.2019	ARCHITECT'S LAYOUT REVISED	JS	NB
B	15.11.2019	ISSUED FOR PLANNING	DD	RFM

Architect	Conroy Crowe Kelly	
Project	Belmont	
Title	Attenuation System Details Sheet 2 of 3	
Drn by	Chkd by	Appr'd by
JC	NB	NB
Date	Scale	Dwg. No.
Mar 2019	@A1	D061/020
		Revision
		B

CS Consulting Group
 DUBLIN | LONDON | LIMERICK

Head Office
 19-22 Dame Street, Dublin 2.
 T: +353 (0)1 5480863 F: +353 (0)1 9011355
 e: info@csconsulting.ie
 w: www.csconsulting.ie

Quality
 Environment I.S. EN ISO 9001:2008
 Energy I.S. EN ISO 14001:2004
 Health & Safety I.S. EN ISO 50001:2011
 OHSAS 18001:2007